

# TECIRL-808

## Thermo-Electrically Cooled Infrared Lasers



### Specifications

#### OPTICAL

Wavelength	808 nm
Optical Output Power	10-400 mW
Laser Power Stability	< 0.5%
Laser Structure	Single Mode upto 150mW Multimode above 150mW
Laser RMS Noise	< 0.5%
Polarization Ratio	> 100:1
Beam Size	5 mm (collimated) Adjustable Focus (default)
Divergence (full)	< 0.5mrad
Beam Pointing Stability	< ± 10 μrad
Warm-Up time	< 1 min

#### ELECTRICAL

Operating Voltage	3.3 V DC
Operating Current	< 1 A

#### MECHANICAL

Dimension	1" (Dia) x 3" ( L )
Operating Temperature	+10°C to +40°C
Storage Temperature	-40°C to +80°C
Heat Sink Requirements	Recommended for extended use

### TECIRL-Series Laser Product Features

- Integrated TEC and Laser Controller
- Low RMS Noise
- Excellent Power & Wavelength Stability
- Compact Size
- Long Life-Time & Low Power Consumption

### TECIRL-Series Laser Applications

- Bioanalytical
- Measurement
- Confocal Microscopy

**TECIRL-Series** Thermo-Electrically Cooled InfraRed Laser is a compact self-contained, highly reliable laser operating at very stable wavelength and power. The build-in temperature controller stabilizes the laser temperature within ±0.01°C. The laser output power stability is better than 1% over long term. Extremely stable power, low noise and excellent beam pointing stability of this laser makes it ideal for bioanalytical, measurement and imaging applications. It is powered by a wall mount power adaptor (supplied with the laser) for plug & play operation.

**TECIRL-Series** lasers can be customized to include beam shaping optics and modulation.

**Operational Hazard-Semiconductor Laser Diode Module:** This laser module emits radiation that is invisible and harmful to human eye. When in use, do not look directly into the laser emitting aperture. Direct viewing of laser diode emission at close range may cause eye damage.

**Limited Warranty:** One year. No warranty coverage for disassembly, modifications or damage due to abuse or misapplication.

**World Star Tech**

[sales@worldstartech.com](mailto:sales@worldstartech.com)

321 Lesmill Rd. Toronto, ON, M3B 2V1 Canada

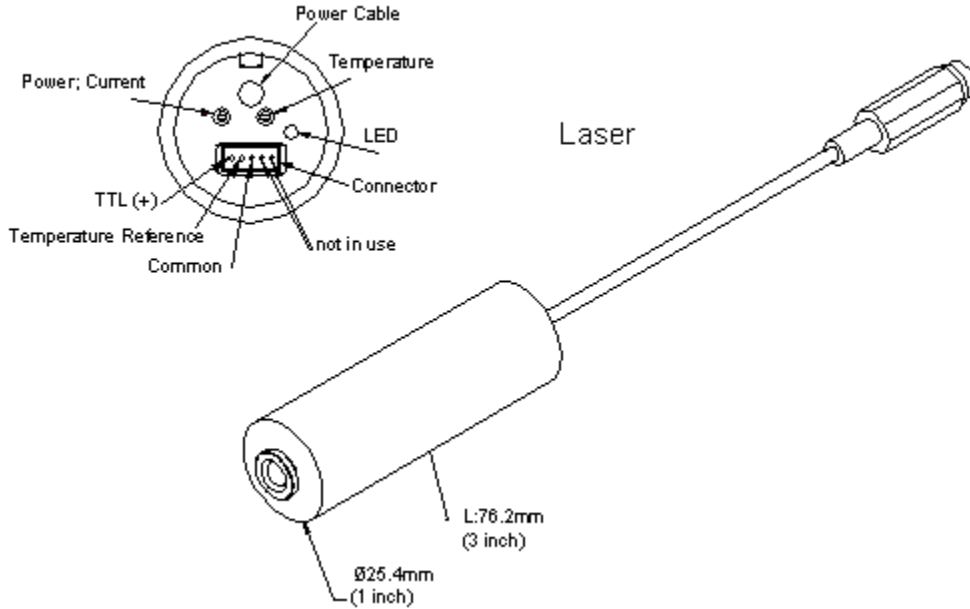
[www.worldstartech.com](http://www.worldstartech.com)

[info@worldstartech.com](mailto:info@worldstartech.com)

Tel: (416) 363-3332 Fax: (416) 363-3112

# TECIRL-808

## Thermo-Electrically Cooled Infrared Laser Modules :Mechanical Dimensions



## TECIRL-Series Laser Ordering Information

Part# TECRL-pppG(c)-λλλ

Option	Meaning	Values
ppp	Laser output power (mW)	10, 50, 100, 150, 200, 400 mW
λλλ	Wavelength (nm)	808 nm
C	Circular Beam	Only available upto 150mW
TTL	TTL Modulation	Max 1 MHz (upto 150mW) 3KHZ for higher powers.

Example Part Number : **TECIRL-50G-808-TTL** (50mW, 808 nm with TTL modulation)



Class IIIB Modules sold solely for use in OEM equipment; OEM is responsible for compliance with all safety regulations.

**World Star Tech**

[sales@worldstartech.com](mailto:sales@worldstartech.com)

[info@worldstartech.com](mailto:info@worldstartech.com)

321 Lesmill Rd. Toronto, ON, M3B 2V1 Canada

Tel: (416) 363-3332 Fax: (416) 363-3112

[www.worldstartech.com](http://www.worldstartech.com)